

GV-M1 压力表阀 GV-M1 Gauge Valves

简介

GV-M1压力表阀设计应用于各种仪表测量管路中压力表的安装连接，最大标准工作压力：6000 psig (414 bar)。采用正反螺纹型螺母连接压力表，安装使用维护方便，结构精巧，性能可靠。

Introduction

GV-M1 gauge valves are designed for the connection of gauges in various instrument measuring pipeline. Maximum std. pressure up to: 6000 psig (414 bar). We adopt right-and-left threaded nuts to connect the gauge. It is convenient to install and maintain due to its light construction and reliable performance.



特点

- ◎ 阀体采用冷拉四方型钢加工,阀盖与阀体采用螺纹连接.
- ◎ 采用活动阀芯与阀杆铆接，在阀门关闭的瞬间，阀芯只上下移动但不转动，避免了密封面刮伤
- ◎ 填料螺栓的设计，随时填料调整
- ◎ 滚轧阀杆螺纹
- ◎ 阀杆螺纹位于填料上方，避免介质的冲刷与侵蚀
- ◎ 在全开位置有可靠的上密封性能
- ◎ 标配聚四氟乙烯填料，可选用柔性石墨填料
- ◎ 配有防尘盖，有效将阀杆螺纹与外部灰尘隔离
- ◎ 连接型式多样
- ◎ 100%工厂试验

Features

- ◎ The body is fabricated by cold-drawn cubic channel steel.The bonnet is connected to the body by thread.
- ◎ We adopt riveting procedure of the active stem tip and stem. All the action in the fitting moves axially instead of in a rotary motion during the closure moment of the valve to reduce the seat galling.
- ◎ The packing can be adjusted because of the design of the packing bolt.
- ◎ Rolled stem operating threads

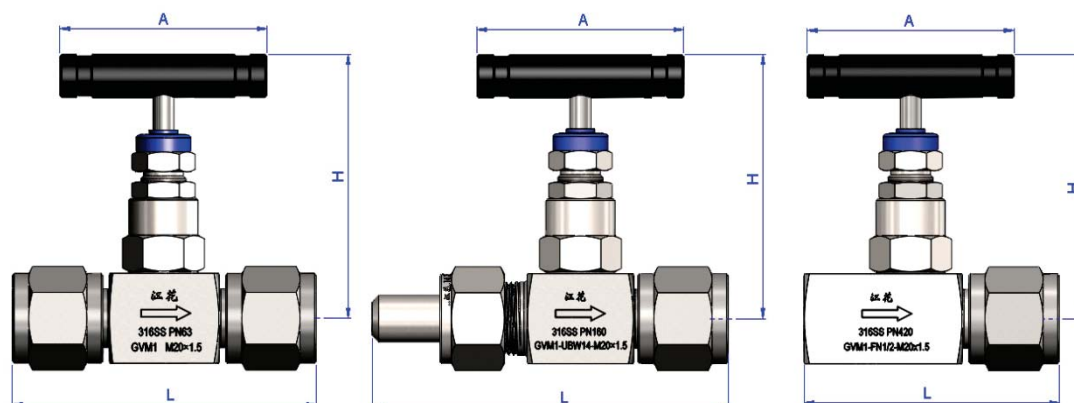
- ◎ Threads above packing can avoid the corrosion from medium.
- ◎ Safety back seating seal in fully open position
- ◎ PTFE packing standard, optional Graphite
- ◎ Equiped with the dust cap which can separate the dust effectively
- ◎ Various connection: ferrules, live butt-welding, female thread, male thread, socket welding, flange
- ◎ 100% factory tested

技术规范

- ◎ 最高工作压力: 6000 psig (414 bar)
- ◎ 公称通径: 4.0 mm
- ◎ 许用温度范围:
PTFE填料: -54~232℃
柔性石墨填料: -54~538℃

Specification

- ◎ Maximum working pressures: 6000 psig (414 bar)
- ◎ DN: 4.0 mm
- ◎ Applicable temperature range:
PTFE packing: -54~232℃
Soft graphite packing: -54~538℃



型号 Model	进口尺寸 Inlet Size	出口尺寸 Outlet Size	L mm	H mm	A mm
GV-M1-M20F	M20x1.5(左) (Left)	M20x1.5(F)	94.0	79.0	64.0
GV-M1-M20F/G1/2	M20x1.5(左) (Left)	G1/2(F)			
GV-M1-UBW14/M20F	UBW14	M20x1.5(F)	110.0		
GV-M1-UBW14/G1/2F	UBW14	G1/2(F)			
GV-M1-Rc1/2/M20F	Rc1/2	M20x1.5(F)	79.0		
GV-M1-Rc1/2/G1/2F	Rc1/2	G1/2(F)			
GV-M1-FN1/2/M20F	NPT1/2(F)	M20x1.5(F)			
GV-M1-FN1/2/G1/2F	NPT1/2(F)	G1/2(F)			

注: GV-M1-M20F的压力表阀需配套使用接表阀接头(编号: HYG12-1), 需另行订购。

Note: GV-M1-M20F gauge valve should be completed with gauge valve connector (No.:HYG12-1), and the connector separately ordered

GV-M8 压力表阀 GV-M8 Gauge Valves

简介

GV-M8压力表阀（原JJM8型）在GV-M1压力表阀基础上增加了阻尼装置，以避免开启时对压力表的冲击。
最大标准工作压力：6000 psig（414 bar）。

Introduction

GV-M8 gauge valve (JJM8) is added with damping device on the basis of GV-M1 gauge valve to avoid the impact during open. Maximum std. pressure up to: 6,000 psig (414 bar).

特点

- ◎ 阀体采用冷拉四方型钢加工,阀盖与阀体采用螺纹连接
- ◎ 采用活动阀芯与阀杆铆接，在阀门关闭的瞬间，阀芯只上下移动但不转动，避免了密封面刮伤
- ◎ 填料螺栓的设计，随时填料调整
- ◎ 滚轧阀杆螺纹
- ◎ 阀杆螺纹位于填料上方，避免介质的冲刷与侵蚀
- ◎ 在全开位置有可靠的上密封性能
- ◎ 标配聚四氟乙烯填料，可选用柔性石墨填料
- ◎ 配有防尘盖，有效将阀杆螺纹与外部灰尘隔离
- ◎ 设有阻尼阀，减小开启时对压力表的冲击。
- ◎ 连接型式多样
- ◎ 100%工厂试验

Features

- ◎ The body is fabricated by cold-drawn cubic channel steel. The bonnet is connected to the body by thread.
- ◎ We adopt riveting procedure of the active stem tip and stem. All the action in the fitting moves axially instead of in a rotary motion during the closure moment of the valve to reduce the seat galling.
- ◎ The packing can be adjusted because of the design of the packing bolt.



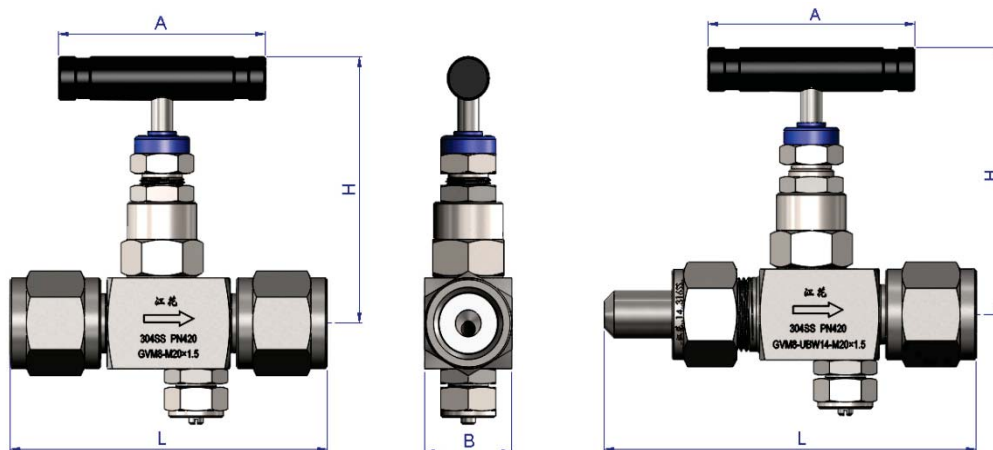
- ◎ Rolled stem operating threads
- ◎ Threads above packing can avoid the corrosion from medium.
- ◎ Safety back seating seal in fully open position
- ◎ PTFE packing standard, optional Graphite
- ◎ Equipped with the dust cap which can separate the dust effectively
- ◎ Complete with the damper which can let up the impact
- ◎ Various connection
- ◎ 100% factory tested

技术规范

- ◎ 最高工作压力: 6000 psig (414 bar)
- ◎ 公称通径: 4.0 mm
- ◎ 许用温度范围:
PTFE填料: -54~232℃
柔性石墨填料: -54~538℃
- ◎ 压力表连接: M20x1.5, G1/2"

Specification

- ◎ Maximum working pressures: 6000 psig (414 bar)
- ◎ DN: 4.0 mm
- ◎ Applicable temperature range:
PTFE packing: -54~232℃
Soft graphite packing: -54~538℃
- ◎ Connection to gauge: M20x1.5, G1/2"



型号 Model	进口尺寸 Inlet Size	出口尺寸 Outlet Size	L mm	H mm	A mm	B mm
GV-M8-M20F	M20x1.5(左)(Left)	M20x1.5(F)	98.0	79.0	64.0	27.0
GV-M8-M20F/G1/2	M20x1.5(左)(Left)	G1/2(F)				
GV-M8-UBW14/M20F	UBW14	M20x1.5(F)	115.0			
GV-M8-UBW14/G1/2F	UBW14	G1/2(F)				

GVMP多口压力表阀 GVMP multi-port gauge valves

简介

GVMP多口压力表阀设计应用于各种仪表测量管路中压力表的安装连接，最高标准工作压力：6,000 psig (414 bar)。该阀具有三个内螺纹出口，位于三个不同方位，无论水平或垂直安装，均可保证压力表的正确安装，并可配用堵头、转换接头或排放阀。结构精巧，性能可靠。

Introduction

GVMP multi-port gauge valves are designed for the connection of gauges in various instrument measuring pipeline. Maximum std. pressure up to: 6,000 psig (414 bar). The valve has three female threaded outlet in three positions. No matter horizontal or vertical installation, this design can ensure the correct installation of gauge. The blank plugs or bleed valve or adapter are available. The structure is light and performance is reliable.

特点

- ◎ 阀体采用冷拉四方型钢加工,阀盖与阀体采用螺纹连接.
- ◎ 采用活动阀芯与阀杆铆接，在阀门关闭的瞬间，阀芯只上下移动但不转动，避免了密封面刮伤
- ◎ 填料螺栓的设计，随时填料调整
- ◎ 滚轧阀杆螺纹
- ◎ 阀杆螺纹位于填料上方，避免介质的冲刷与侵蚀



Features

- ◎ The body is fabricated by cold-drawn cubic channel steel.The bonnet is connected to the body by thread.
- ◎ We adopt riveting procedure of the active stem tip and stem. All the action in the fitting moves axially instead of in a rotary motion during the closure moment of the valve to reduce the seat galling.
- ◎ The packing can be adjusted because of the design of the packing bolt.
- ◎ Rolled stem operating threads
- ◎ Threads above packing can avoid the corrosion from medium.

- ◎ 在全开位置有可靠的上密封性能
- ◎ 标配聚四氟乙烯填料，可选用柔性石墨填料
- ◎ 配有防尘盖，有效将阀杆螺纹与外部灰尘隔离
- ◎ 水平、垂直安装场所均可使用
- ◎ 可配用转换接头、堵头或排放阀
- ◎ 可配用阀帽锁定装置
- ◎ 100%工厂试验

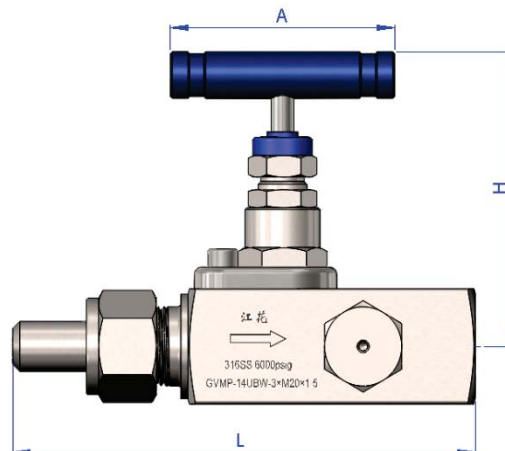
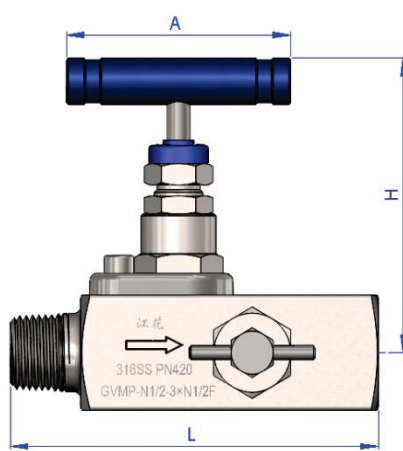
- ◎ Safety back seating seal in fully open position
- ◎ PTFE packing standard, optional Graphite
- ◎ Equipped with the dust cap which can separate the dust effectively
- ◎ It can be used in horizontal and vertical installation.
- ◎ Adapter, plugs or discharge valve are available.
- ◎ Lock device of valve cap is available.
- ◎ 100% factory tested

技术规范

- ◎ 最高工作压力：6000 psig (414 bar)
- ◎ 公称通径：4.0 mm
- ◎ 许用温度范围：
PTFE填料：-54~232℃
柔性石墨填料：-54~538℃

Specification

- ◎ Maximum working pressures: 6000 psig (414 bar)
- ◎ DN: 4.0 mm
- ◎ Applicable temperature range:
PTFE packing: -54~232℃
Soft graphite packing: -54~538℃



型号 Model	进口尺寸 Inlet Size	出口尺寸 Outlet Size	L mm	H mm	A mm
GVMP-N1/2M-3xN1/2F	1/2NPT	3x1/2NPT(F)	105.0	81.5	64.0
GVMP-R1/2M-3xRc1/2	R1/2	3xRc1/2			
GVMP-N3/4M-3xN1/2F	3/4NPT	3x1/2NPT(F)	105.0		
GVMP-R3/4-3xRc1/2	R3/4	3xRc1/2	105.0		
GVMP-N1/2M-3xM20F	1/2NPT	3xM20x1.5(F)	105.0		
GVMP-14UBW-3xM20F	1/2NPT	3xM20x1.5(F)	132.0		
GVMP-FN1/2-3xFN1/2	1/2NPT(F)	3x1/2NPT(F)	90.0		

GVSP单口压力表阀 GVSP single-port gauge valve

简介

GVSP单口压力表阀设计应用于各种仪表测量管路中压力表的安装连接，最大标准工作压力：6,000 psig (414 bar)。该阀具有一个内螺纹出口，并设有单一的1/4NPT排放口，可配用堵头、排放阀或其它接头。

Introduction

GVSP single-port gauge valves are designed for the connection of gauges in various instrument measuring pipeline. Maximum std. pressure up to 6,000 psig (414 bar). The valve has one female threaded outlet and a single 1/4 NPT vent port. Blank plug or bleed valve or other fitting are available.

特点

- ◎ 阀体采用冷拉四方型钢加工,阀盖与阀体采用螺纹连接.
- ◎ 采用活动阀芯与阀杆铆接,在阀门关闭的瞬间,阀芯只上下移动但不转动,避免了密封面刮伤
- ◎ 填料螺栓的设计,随时填料调整
- ◎ 滚轧阀杆螺纹
- ◎ 阀杆螺纹位于填料上方,避免介质的冲刷与侵蚀
- ◎ 在全开位置有可靠的上密封性能
- ◎ 标配聚四氟乙烯填料,可选用柔性石墨填料

Features

- ◎ The body is fabricated by cold-drawn cubic channel steel.The bonnet is connected to the body by thread.
- ◎ We adopt riveting procedure of the active stem tip and stem. All the action in the fitting moves axially instead of in a rotary motion during the closure moment of the valve to reduce the seat galling.
- ◎ The packing can be adjusted because of the design of the packing bolt.
- ◎ Rolled stem operating threads
- ◎ Threads above packing can avoid the corrosion from medium.
- ◎ Safety back seating seal in fully open position
- ◎ PTFE packing standard, optional Graphite



- ◎ 配有防尘盖，有效将阀杆螺纹与外部灰尘隔离
- ◎ 可配用转换接头、堵头或排放阀
- ◎ 可配用阀帽锁定装置
- ◎ 100%工厂试验

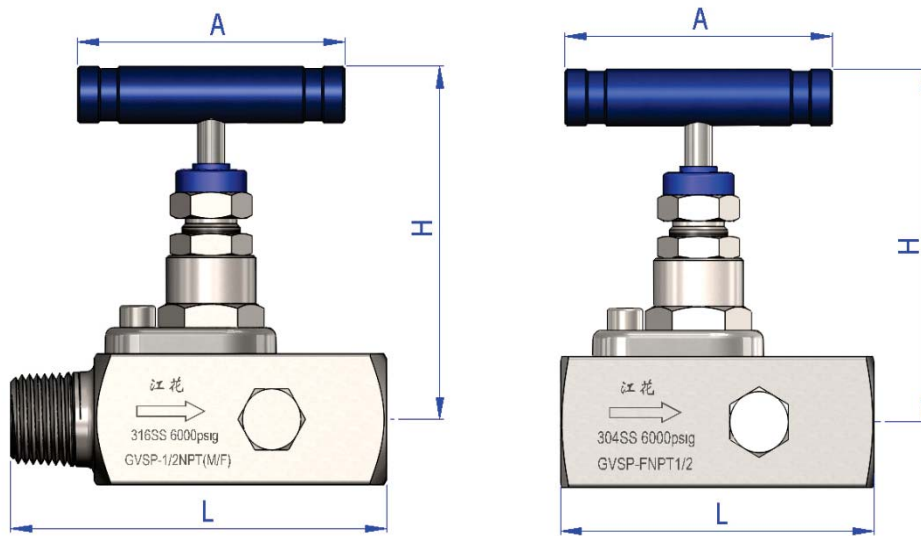
- ◎ Equipped with the dust cap which can separate the dust effectively
- ◎ Adapter, plugs or discharge valve are available.
- ◎ Lock device of valve cap is available.
- ◎ 100% factory tested

技术规范

- ◎ 最高工作压力：6000 psig (414 bar)
- ◎ 公称通径：4.0 mm
- ◎ 许用温度范围：
PTFE填料：-54~232℃
柔性石墨填料：-54~538℃

Specification

- ◎ Maximum working pressures: 6000 psig (414 bar)
- ◎ DN: 4.0 mm
- ◎ Applicable temperature range:
PTFE packing: -54~232℃
Soft graphite packing: -54~538℃



mm

型号 Model	进口尺寸 size Inlet	出口尺寸 Outlet Size	L	H	A
GVSP-N1/2-FN1/2	1/2NPT	1/2NPT(F)	90.0	80.5	64.0
GVSP-R1/2M-Rc1/2	R1/2	Rc1/2			
GVSP-FN1/2	1/2NPT(F)	1/2NPT(F)	75.0		
GVSP-Rc1/2	Rc1/2	Rc1/2			

注：标配NPT1/4堵头，如需配NPT1/4排放阀，需注明。

Note: The valve is always equipped with NPT1/4 plug. If you need NPT1/4 bleed valve, please give a remark.

GVAM角式压力表阀 GVAM Angle gauge valve

简介

GVAM角式压力表阀设计应用于各种仪表测量管路中压力表的安装连接，公称压力32.0MPa。该阀具有一个正反螺纹活接螺母连接压力表，并设有一个排放阀，以排放系统中的气体。

Introduction

GVAM Angle gauge valves are designed for the connection of gauges in various instrument measuring pipeline. Nominal pressure: 32.0MPa. We adopt right-and-left threaded union nuts to connect the gauge. There is a discharge valve is to discharge the gas of the system.



特点

- ◎ 阀体采用冷拉四方型钢加工,阀盖与阀体采用螺纹连接.
- ◎ 采用活动阀芯与阀杆铆接,在阀门关闭的瞬间,阀芯只上下移动但不转动,避免了密封面刮伤
- ◎ 填料螺栓的设计,随时填料调整
- ◎ 滚轧阀杆螺纹
- ◎ 阀杆螺纹位于填料上方,避免介质的冲刷与侵蚀
- ◎ 在全开位置有可靠的上密封性能
- ◎ 标配聚四氟乙烯填料,可选用柔性石墨填料

Features

- ◎ The body is fabricated by cold-drawn cubic channel steel.The bonnet is connected to the body by thread.
- ◎ We adopt riveting procedure of the active stem tip and stem. All the action in the fitting moves axially instead of in a rotary motion during the closure moment of the valve to reduce the seat galling.
- ◎ The packing can be adjusted because of the design of the packing bolt.
- ◎ Rolled stem operating threads
- ◎ Threads above packing can avoid the corrosion from medium.
- ◎ Safety back seating seal in fully open position
- ◎ PTFE packing standard, optional Graphite

GV系列压力表阀

GV Series Gauge Valves

江花®
JIANGHUA

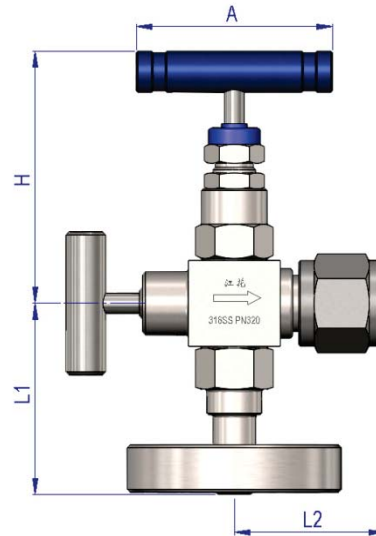
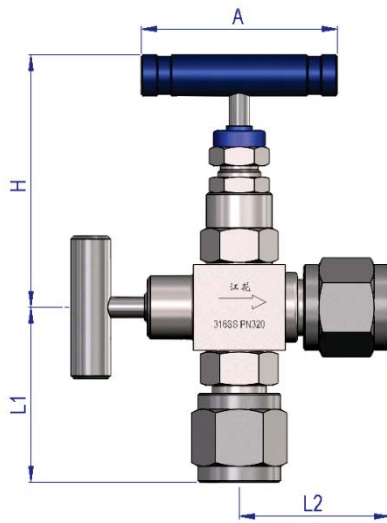
- ◎ 配有排放阀
- ◎ 可配用螺纹法兰及透镜垫密封
- ◎ 配有防尘盖，有效将阀杆螺纹与外部灰尘隔离
- ◎ 100%工厂试验
- ◎ Completed the discharge valve
- ◎ Threaded flange is available and sealed with lens washer
- ◎ Equiped with the dust cap which can separate the dust effectively
- ◎ 100% factory tested

技术规范

- ◎ 最高工作压力：6000 psig (414 bar)
- ◎ 公称通径：4.0 mm
- ◎ 许用温度范围：
PTFE填料：-54~232℃
柔性石墨填料：-54~538℃

Specification

- ◎ Maximum working pressures: 6000 psig (414 bar)
- ◎ DN: 4.0 mm
- ◎ Applicable temperature range:
PTFE packing: -54~232℃
Soft graphite packing: -54~538℃



型号 Model	进口尺寸 Inlet Size	出口尺寸 Outlet Size	L1	L2	H	A	备注 Remarks
GVAM-M20	M20x1.5	M20x1.5	60	50.0	79.0	64.0	原J29型 Former model J29
GVAM-M20-G1/2	M20x1.5	G1/2					原J49型 Former model J49
GVAM-FL6-M20	FL-DN6	M20x1.5	57	50.0			
GVAM-FL6-G1/2	FL-DN6	G1/2					